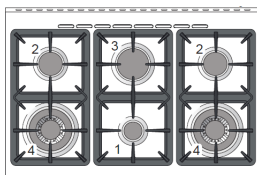


Ranges (EX Series)

ELBA
TALENT FOR COOKING



96 EX 850 ISF

Cooktop:

- 6 Sabaf® gas burners
 1. Auxiliary burner (A) 1.00 kW
 2. Semi-rapid burner (SR) 1.75 kW
 3. Rapid burner (R) 3.00 kW
 4. Triple-ring burner (TR) 3.50 kW
- Integrated knob ignition
- Safety device on all burners
- Cast-iron pan supports with wok support
- Flush mounted stainless steel cooktop (3cm thick)

Oven:

- 8 Function electric convection oven
- Electronic programmer (start/end of cooking)
- Oven light
- Rotisserie
- Double glass door
- Removable inner glass door
- Tangential cooling fan
- Old american oven door handle
- Smooth operation door hinges
- Accessories: tray and shelf

Dishwarmer:

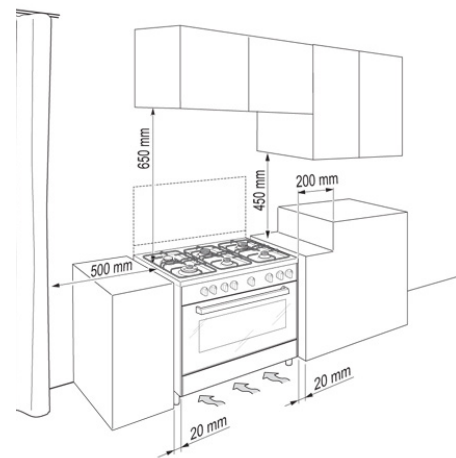
- Flat type, flip down

Body:

- Stainless steel finish
- Stainless steel back guard (6cm height)
- Adjustable legs (up to 87.5cm)

Overall Dimension:

- 90 x 60 x 85 cm (W x D x H)



Technical Diagram